



Sweatshirt

Zusammensetzung

50% Baumwolle / 50% Polyester

Eigenschaften

ringgesponnenes Mischgewebe, pflegeleicht,
60° waschbar, trocknergeeignet, Stoffgewicht ca. 300g/m²

Details

reaktiv gefärbt, sanforisiert, sehr hochwertige und
professionelle Verarbeitung, Rippstrick-Bündchen an Ärmel
und Bund, innen extra flauschig angeraut

lieferbare Größen

XXS - 6XL




Farben

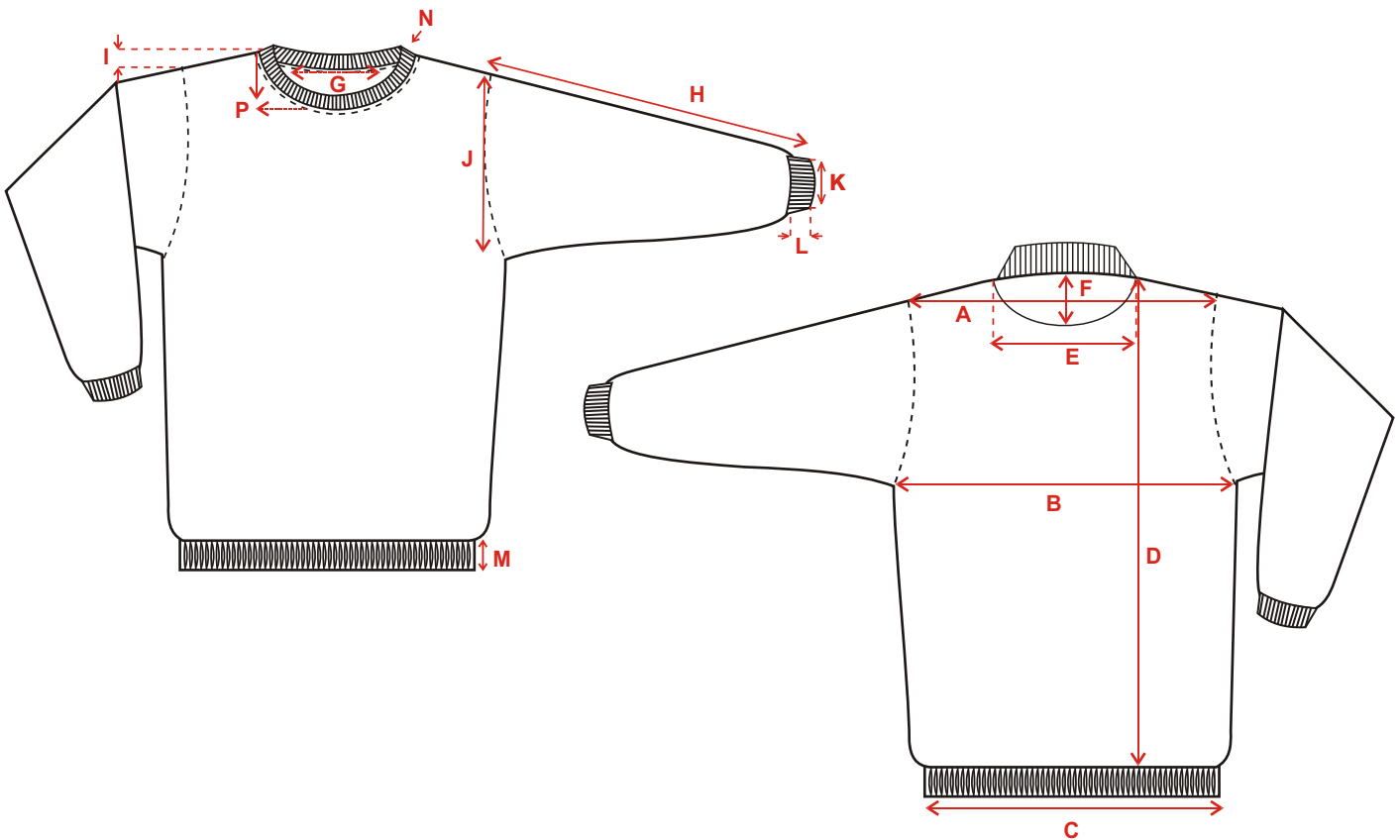
schwarz (Art. 2001)





Name: **Sweat-Shirt-Crew Neck**

| | |
|------------|--|
| Size | XXS-6XL |
| Fabric | 300gsm, 50/50 Poly Cotton |
| Care Label |    |





LAVEDIMA GMBH SWEAT SHIRT CREW NECK

ITEM: SWEAT SHIRT CREW NECK
ALL MEASUREMENT IN CMS

Date: 16-03-2024

| DESCRIPTION | | XS | S | M | L | XL | 2XL | 3XL | 4XL | 5XL | 6XL |
|-----------------------|---|-----|-----|-----|-----|-----|-----|-----|-----|-----|-----|
| SHOULDER | A | 39 | 42 | 45 | 48 | 51 | 54 | 57 | 60 | 63 | 66 |
| CHEST | B | 51 | 54 | 57 | 60 | 63 | 66 | 69 | 72 | 75 | 78 |
| BOTTOM | C | 38 | 41 | 44 | 47 | 50 | 53 | 56 | 59 | 62 | 65 |
| BODY LENGTH H.P.S | D | 70 | 72 | 74 | 76 | 78 | 80 | 82 | 84 | 86 | 88 |
| D-WIDTH | E | 25 | 25 | 25 | 27 | 27 | 27 | 27 | 31 | 31 | 31 |
| D-LENGTH | F | 10 | 10 | 10 | 10 | 10 | 10 | 10 | 10 | 10 | 10 |
| BACK NECK WIDTH | G | 17 | 18 | 19 | 20 | 21 | 22 | 23 | 24 | 25 | 26 |
| SLEEVE LENGTH | H | 62 | 63 | 64 | 65 | 66 | 67 | 68 | 69 | 70 | 71 |
| SHOULDER DROP | I | 2 | 2 | 2 | 2 | 2 | 2 | 2 | 2 | 2 | 2 |
| ARM HOLE ST. | J | 24 | 25 | 26 | 27 | 28 | 29 | 30 | 31 | 32 | 33 |
| SLEEVE OPENING | K | 9 | 9 | 9 | 10 | 10 | 10 | 11 | 11 | 11 | 12 |
| CUFF RIB WIDTH | L | 6 | 6 | 6 | 6 | 6 | 6 | 6 | 6 | 6 | 6 |
| BOTTOM RIB WIDTH | M | 6 | 6 | 6 | 6 | 6 | 6 | 6 | 6 | 6 | 6 |
| NECK RIB WIDTH | N | 2.5 | 2.5 | 2.5 | 2.5 | 2.5 | 2.5 | 2.5 | 2.5 | 2.5 | 2.5 |
| FRONT NECK DROP H.P.S | P | 8 | 8 | 9 | 9 | 10 | 10 | 11 | 11 | 12 | 12 |